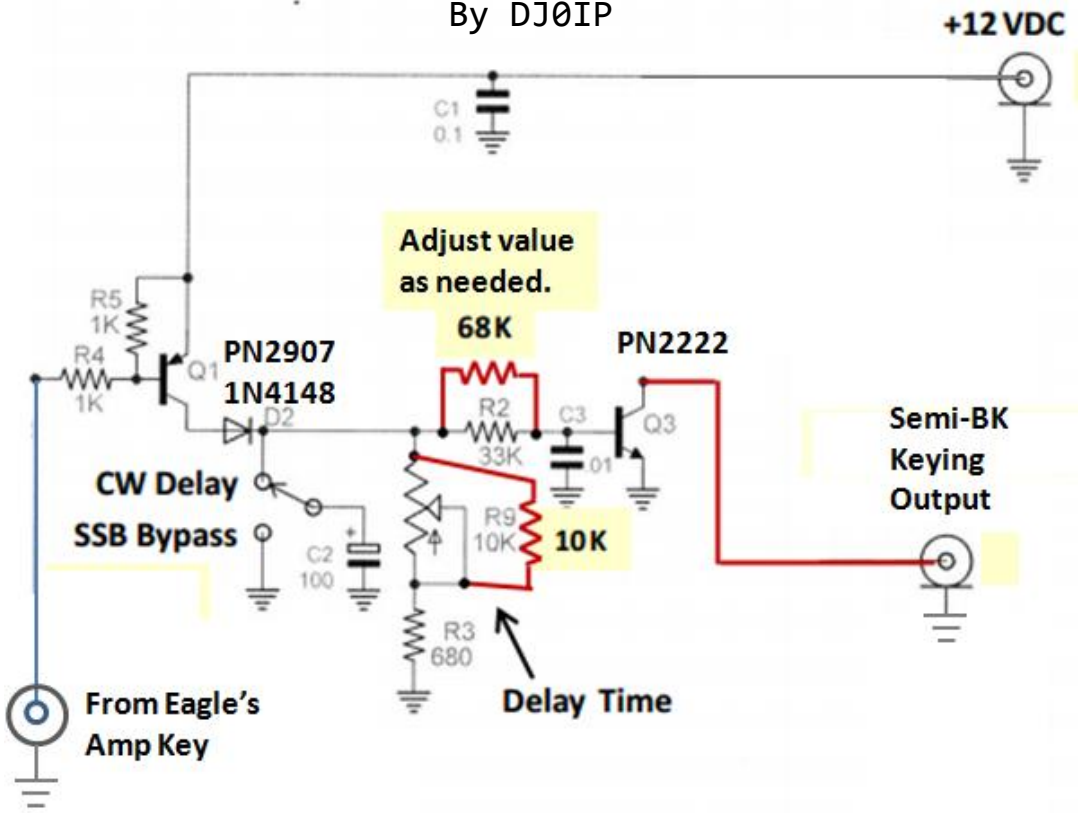


# Simple Semi-BK for the Eagle

By DJØIP



**This is the Model 318 circuitry, “stripped out and modified.”**

2 transistors, a diode and a few resistors and caps.

The 10K Ohm Potentiometer adjusts the delay.

The switch disables the delay

The value of R2 depends on the amount of current the circuit to be keyed draws. With the original 33K it was not enough to switch the T/R relay in my Ameritron amp so I soldered a 68K in parallel. Depending on what you are keying, you may or may not need the 68K resistor shown in red, or you may need to adjust its value.

I added the additional 10k in parallel to the Potentiometer (R9) to give it more bandspread. Without it I found the delay could be adjusted much too long, and this made adjustment a bit touchy. With the additional resistor, it doesn't change values as quickly and works to my liking. Try it with or without.