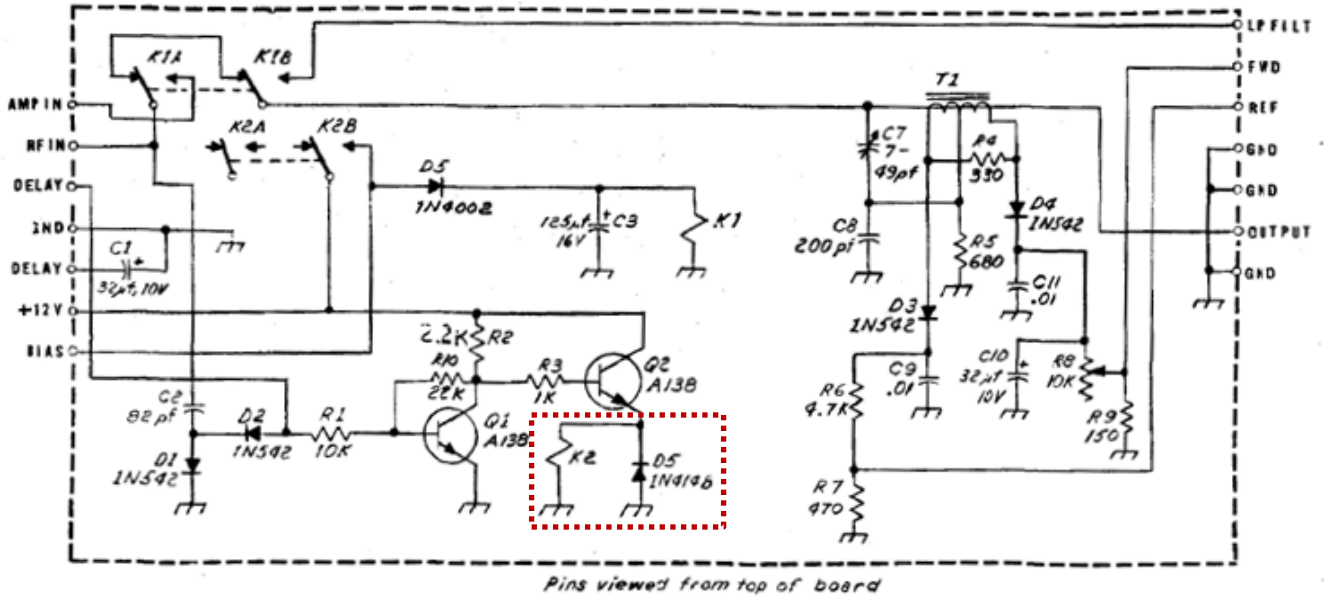


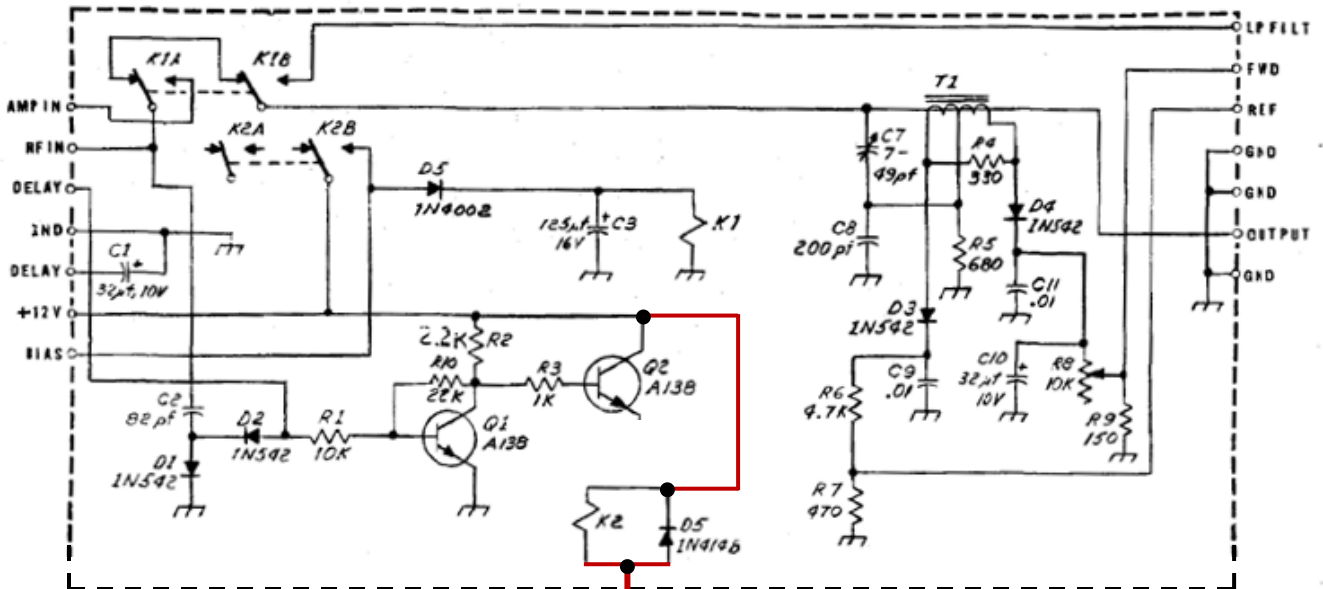
TEN – TEC MODEL 405 AMPLIFIER

MOD TO KEY WITH (STANDARD) AMP KEY

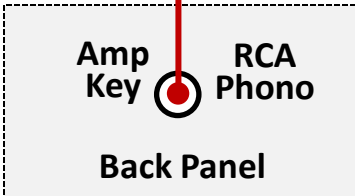
Before Modification



After Modification



Compatible with standard open-collector amplifier keying circuits.*



Changes in **RED**

* For the Argonaut 6, connect this line to Pin-8 of the DIN Accessory Jack.

CAUTION: MUST REDUCE ARGO-6 POWER TO JUST 3 WATTS!