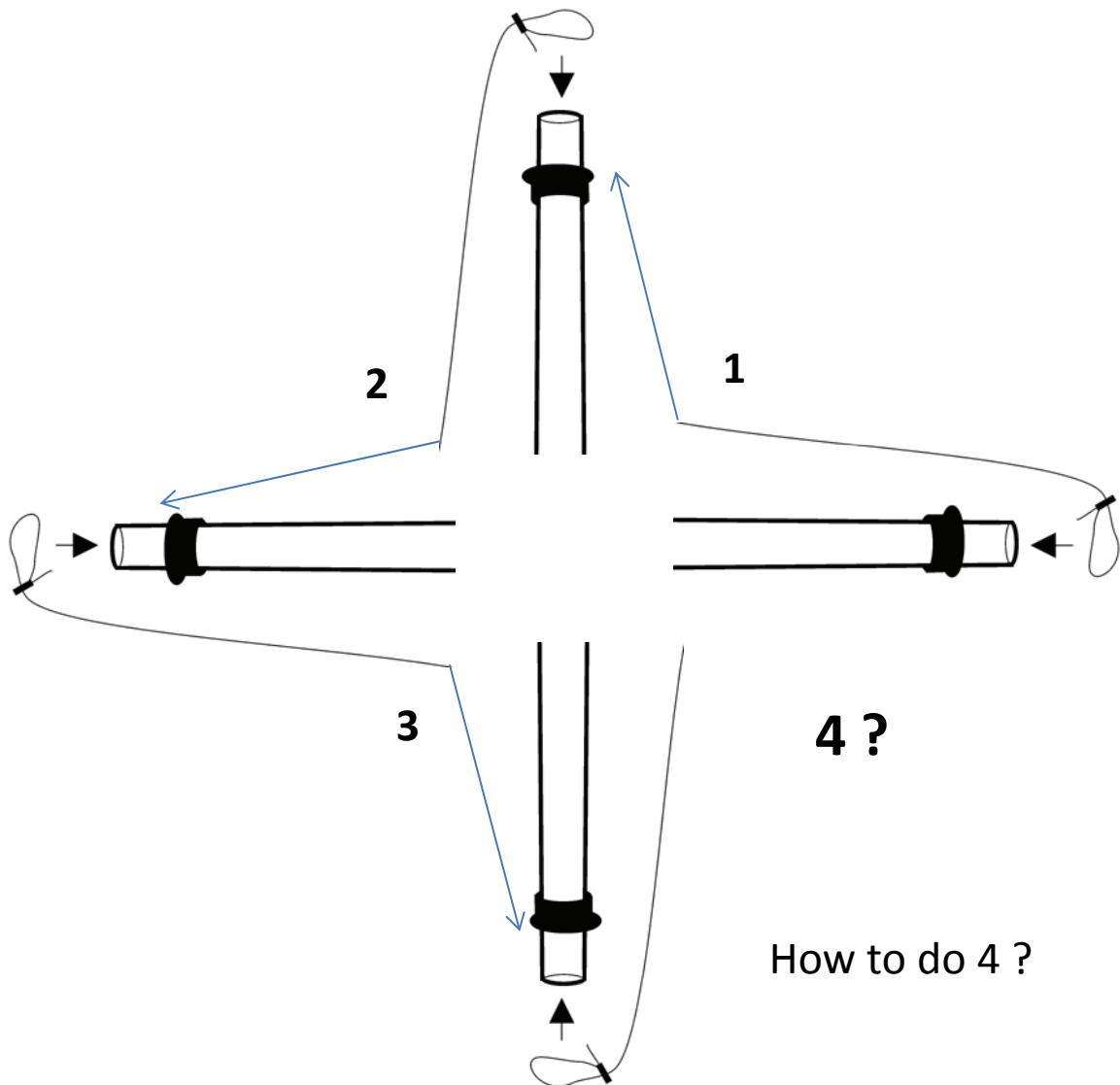
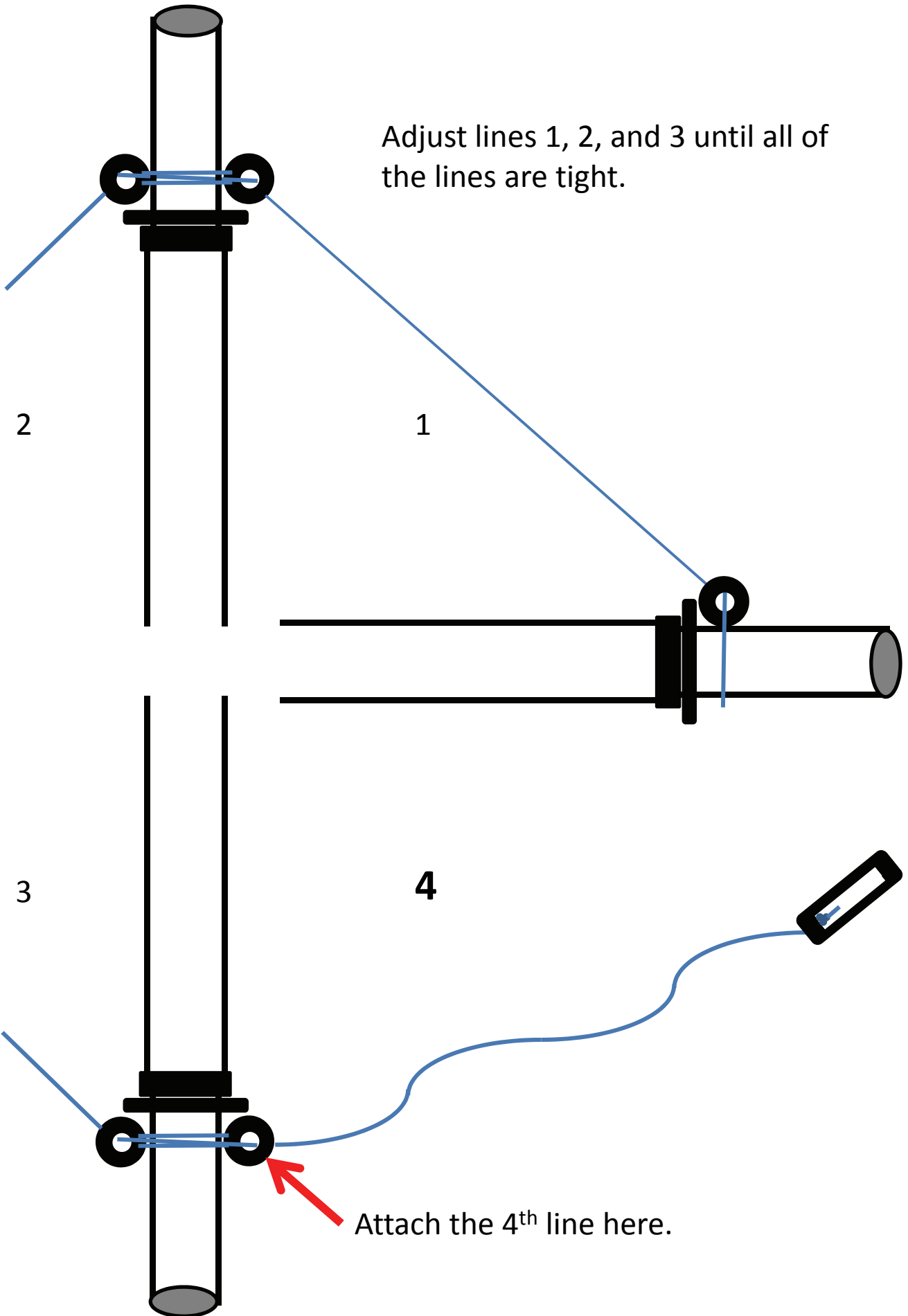


Mount 1, 2, and 3 by bending the poles.



Adjust lines 1, 2, and 3 until all of the lines are tight.



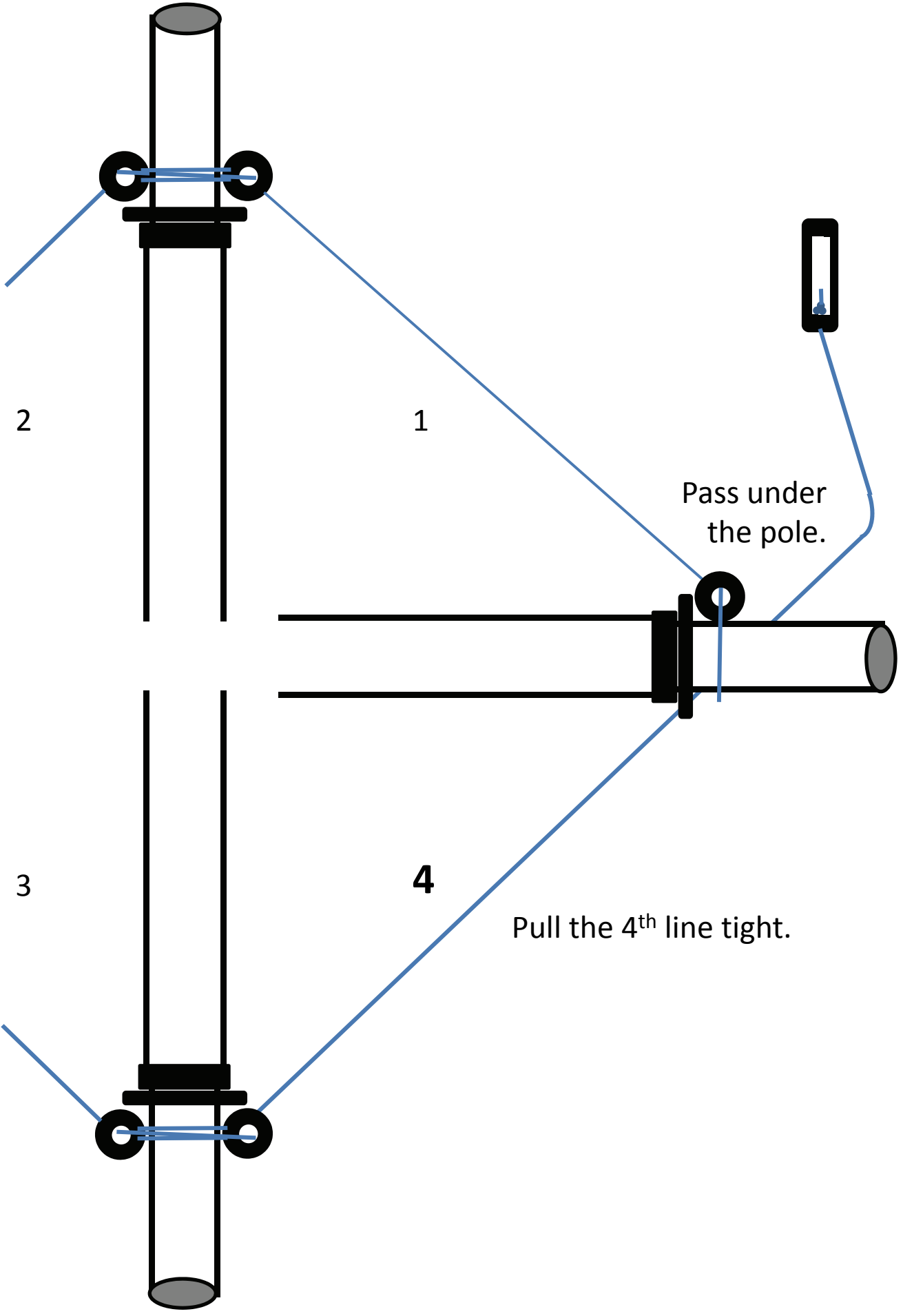
2

1

3

4

Attach the 4th line here.



2

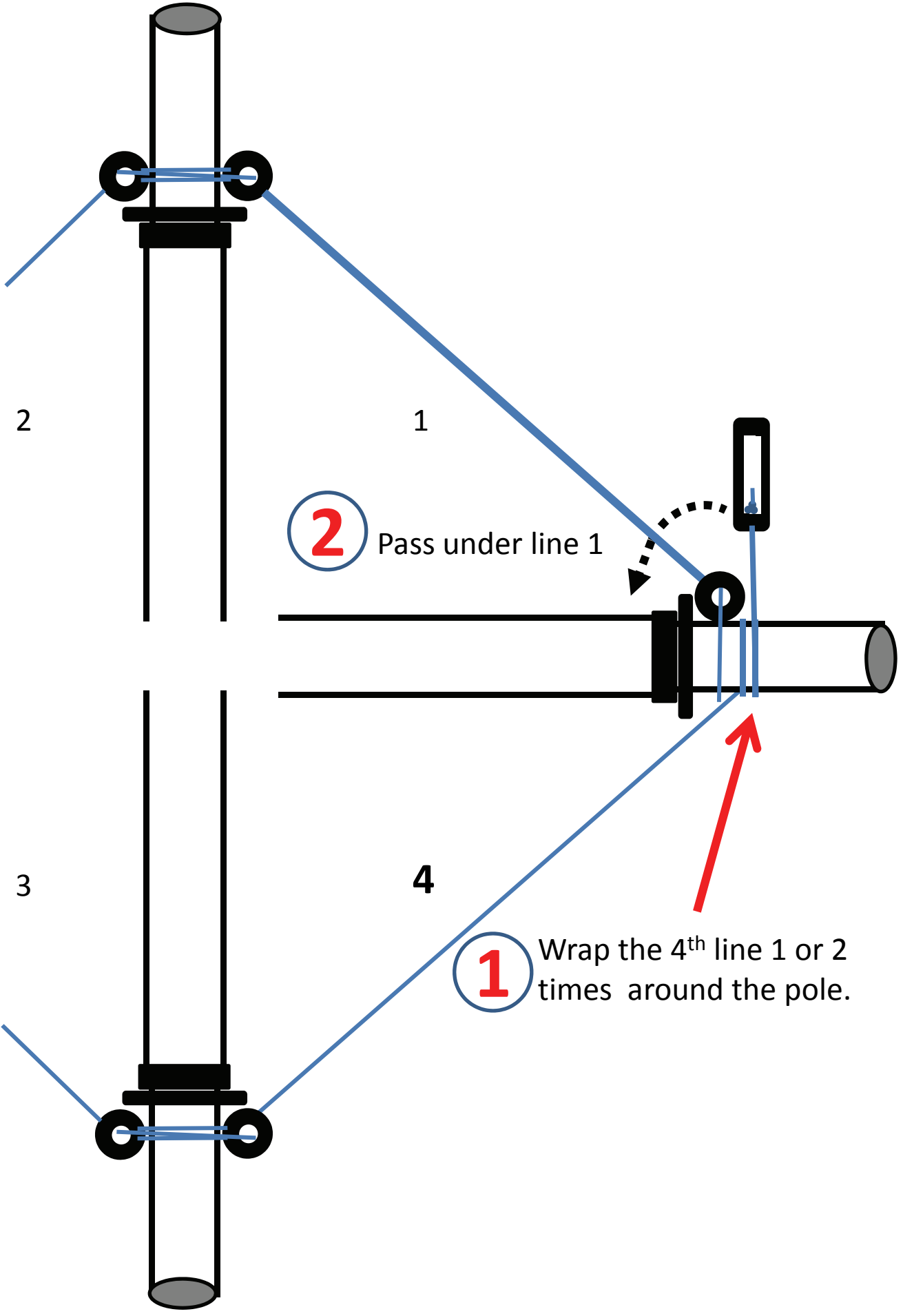
1

Pass under
the pole.

3

4

Pull the 4th line tight.



2

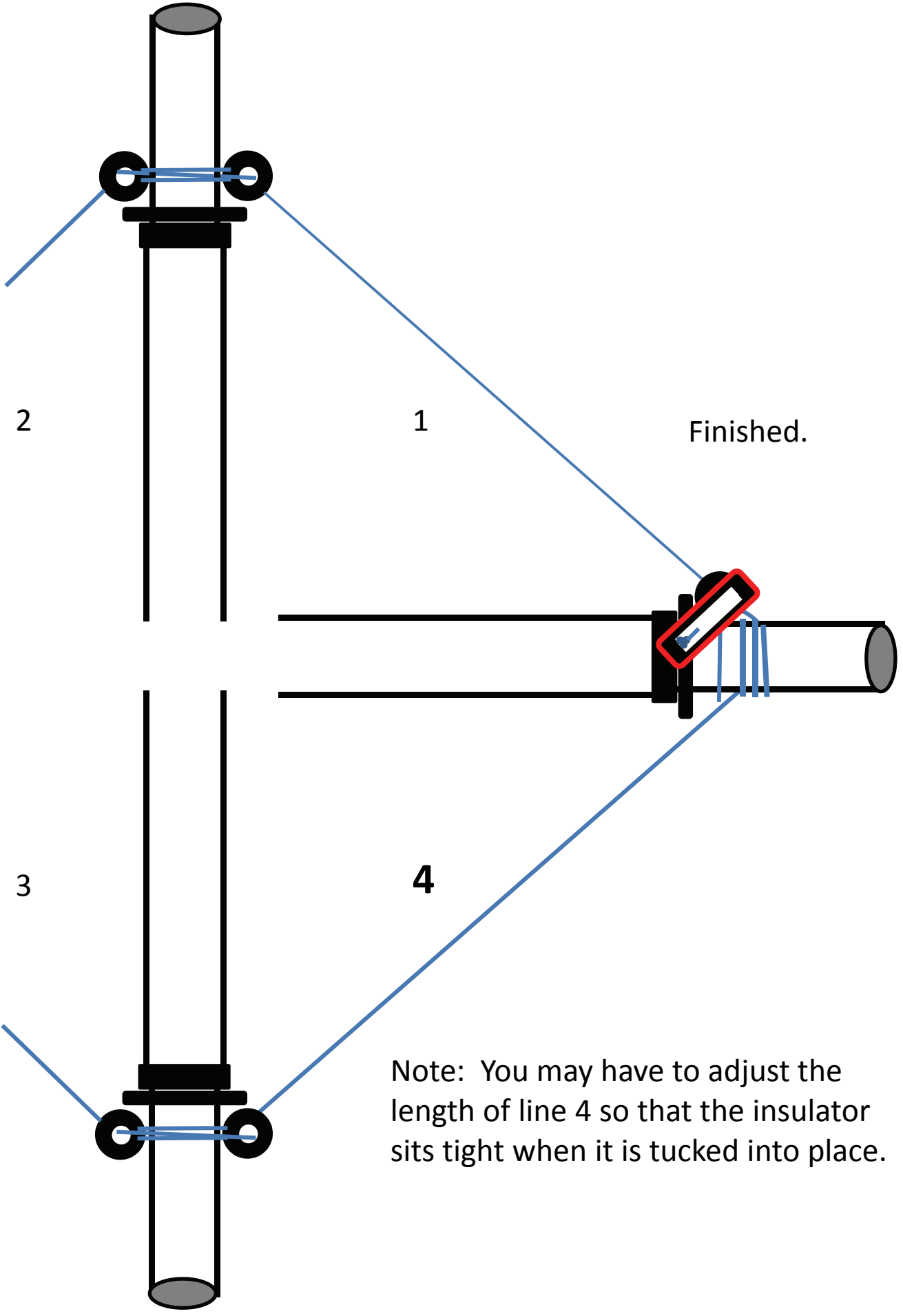
1

2 Pass under line 1

3

4

1 Wrap the 4th line 1 or 2 times around the pole.



2

1

Finished.

3

4

Note: You may have to adjust the length of line 4 so that the insulator sits tight when it is tucked into place.