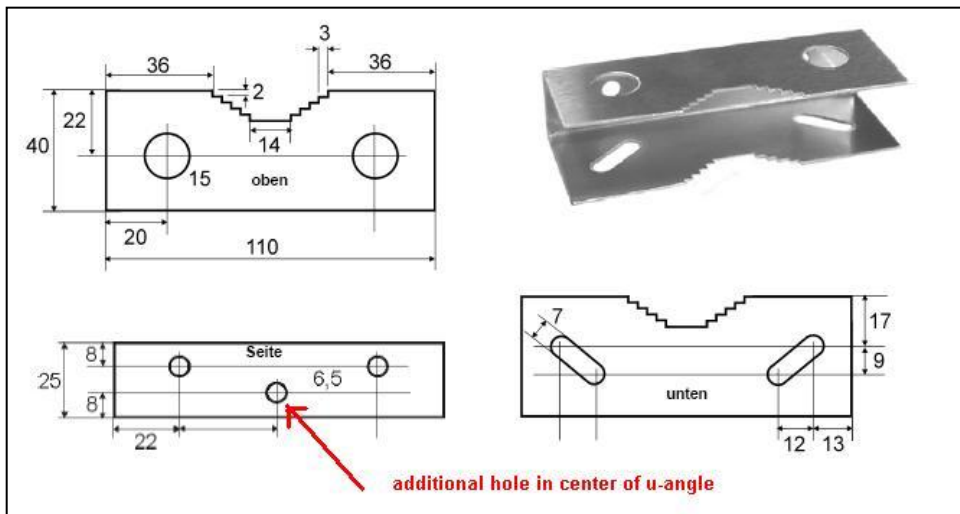
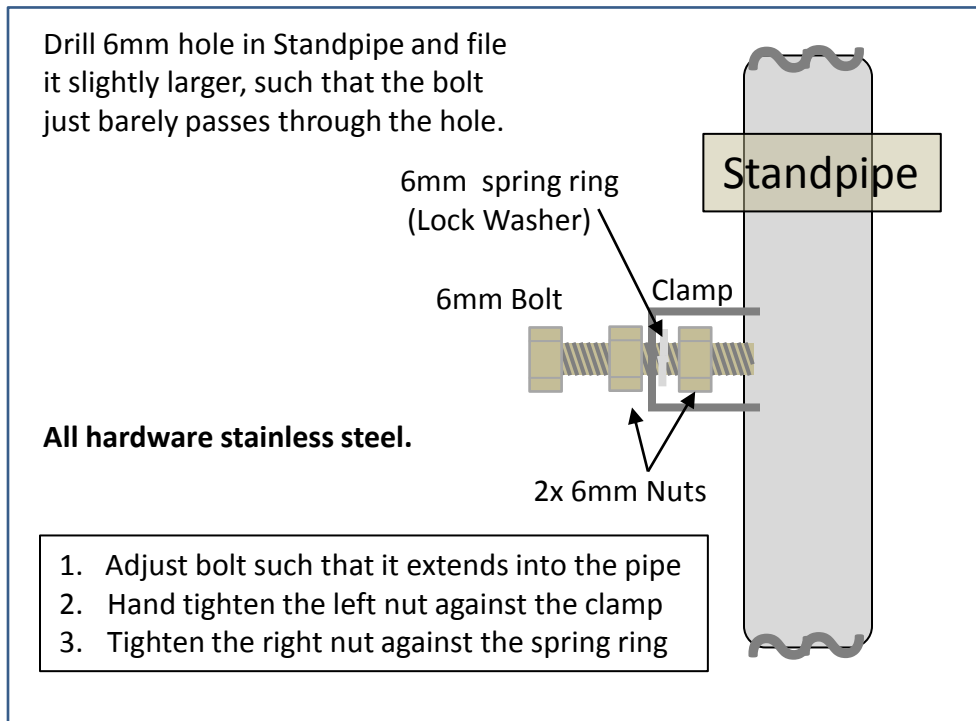


Spiderbeam Clamp Mod to prevent slippage on mast.



IMPORTANT: ONLY USE BOLT ON TOP CLAMP !



Note: Our longest bolt is 55mm. It "should" just barely fit. If it is too short, remove the nut on the left and insert the bolt all the way such that its head is against the outside of the clamp. Then tighten the nut against the spring ring. The bolt will stick farther into the pipe, but that does not hurt.