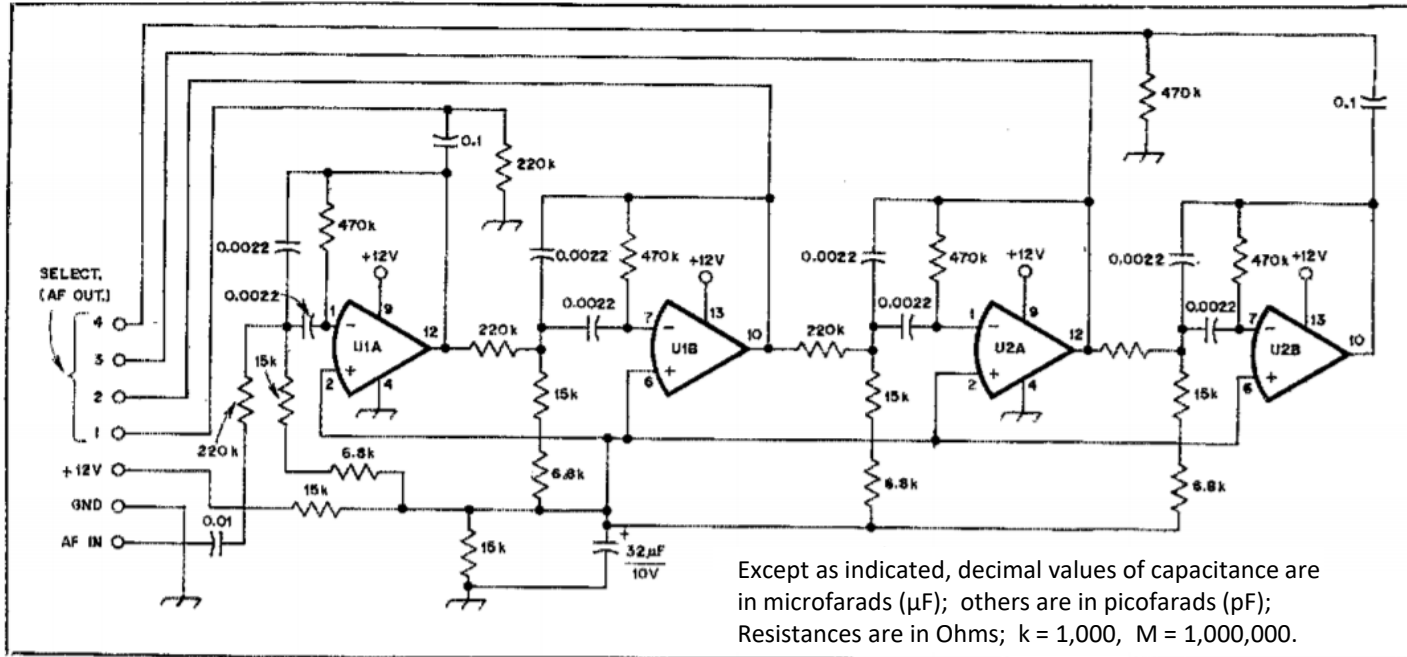


TEN-TEC Model 245 (Audio) CW Filter



Schematic diagram of the Ten-Tec 245 RC active audio filter. All resistors are $\frac{1}{4}$ and $\frac{1}{2}$ watt close-tolerance composition types.

All Capacitors and resistors in the frequency determining parts of the circuit are 5-percent tolerance.

The 5-percent capacitors are polystyrene. The others are disk ceramic.

The polarized capacitor is electrolytic U1, U1 – 747 dual op amp.